

hotcast Die-Casting Nozzle Heater



hotcast Die-Casting Nozzle Heater

Components and Systems

Heating elements, thermal sensors and process control – hotset is your partner for the realization of intelligent product and service solutions in the field of industrial heat technology. Based on our international presence and our own production sites, we operate as a component supplier and development service provider for customers in all industries.

We supply you with components for your series production, we implement complex system solutions for you or we take over entire value chains: your requirements, your goals and your wishes always form the centre of our actions. You benefit from flexible production and logistics structures, an interdisciplinary engineering and over four decades of technology experience.

hotset – components. systems. projects.

hotcast Die-Casting Nozzle Heater

GMH – Sealed Nozzle Heater

- Application field: Zinc die-casting
- Heated machine nozzle with integrated hotspring maxi coiled heater
- Completely sealed system
- Power distribution for equal heat distribution
- Deep immersion into the cavity, extra long
- Small outer diameter
- Long lifespan
- High energy savings in comparison to gas heating



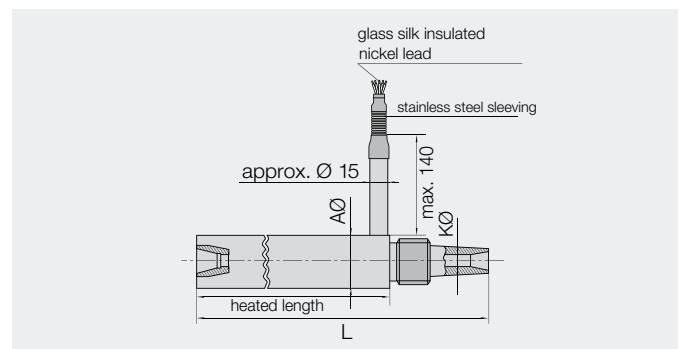
Technical features

Heating element	hotspring Maxi
Voltage	230 V Standard
Wattage tolerance*	± 10 %
High voltage test*	1250 V AC
Insulation resistance*	≥ 5 MΩ at 500 V DC
Leakage current*	≤ 0,5 mA bei 253 V AC
Standard connection lead	glass silk insulated, nickel, multistranded, with ground wire and stainless steel sleeving, L = 1500 mm / 59 inch
Thermocouple	integrated, Type K (NiCr-Ni)

*tested at environmental temperature

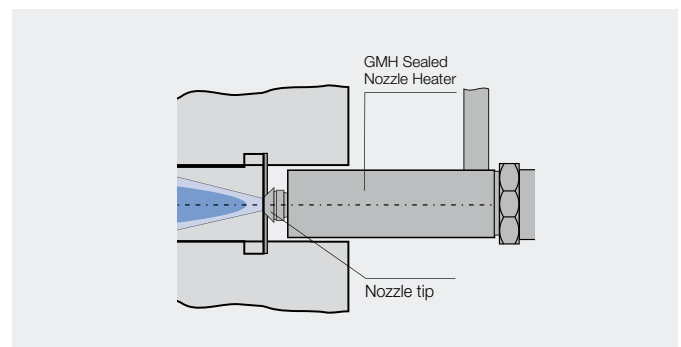
Options

- Insulation tube for energy saving
- Surface treatment of the flow path for flow velocity > 50 m/s / 164 ft/s
- Various connection types available (moisture protection required)
- Nozzle tip heated/unheated
- Easy removal nut

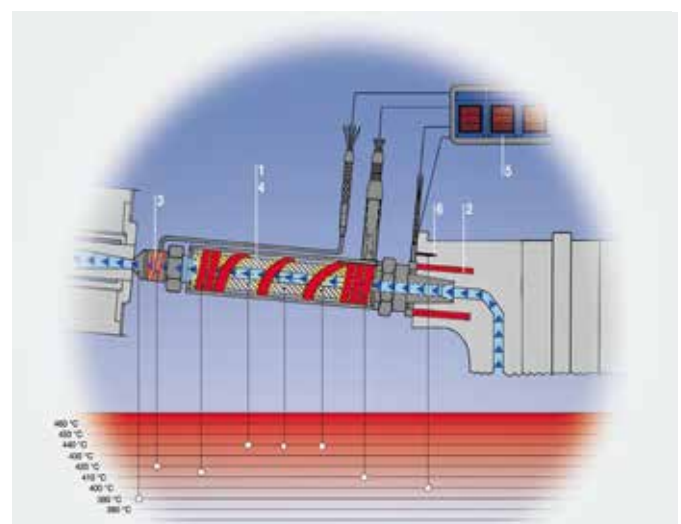


K Ø = inner diameter
A Ø = outer diameter

L = length
all measurements in mm



heating system of a hotcast GMH sealed heater



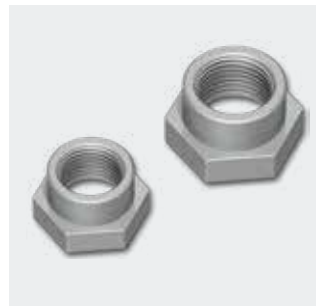
Stock Range

Stock ID	Type	Inner Ø [mm]	Outer Ø [mm]	Length [mm]	Heated Length [mm]	Wattage [W]	Voltage [V]
MI5630133	GMH 5	7.0	42.0	149	81	550	230
MI5630139	GMH 20	9.5	42.0	178	110	700	230
MI5640165	GMH 50	11.0	55.2	257	167	1300	230
MI5640154	GMH 80	11.0	55.2	286	196	1500	230
MI5650258	GMH 125	18.0	62.2	330	240	1800	230
MI5650365	GMH 200	18.0	77.2	422	302	2600	400
MI5630135	GMH 5-T	7.0	42.0	169	101	750	230
MI5630144	GMH 20-T	9.5	42.0	208	140	900	230
MI5630254	GMH 80-T	11.0	55.2	316	226	1600	230
MI5630256	GMH 125-T	18.0	62.2	370	281	1900	230
MI5630257	GMH 200-T	18.0	77.2	462	342	2800	400
MI5630258	GMH 20-TT	9.5	42.0	228	160	900	230
MI5630260	GMH 50-TT	11.0	55.2	310	220	1600	230
MI5630259	GMH 80-TT	11.0	55.2	336	246	1600	230
MI5630261	GMH 125-TT	18.0	62.2	380	290	1900	230

Easy Removal Nuts

Stock Range

Stock ID	for GMH-Type	wrench size
252000	GMH 5/20	55
252001	GMH 50/80/125	65
252002	GMH 200	100



draw off nut for nozzle body

hotcast Die-Casting Nozzle Heater

OMH – Open Ended Nozzle Heater

- Application field: Zinc die-casting
- Sheathed, flat hotspring maxi coiled heater for nozzles
- Replaces traditional block or propane heat
- Power distribution for even temperature control
- Tight fit clamping band with end rings prevents penetration of material from overmoulding
- Long lifespan



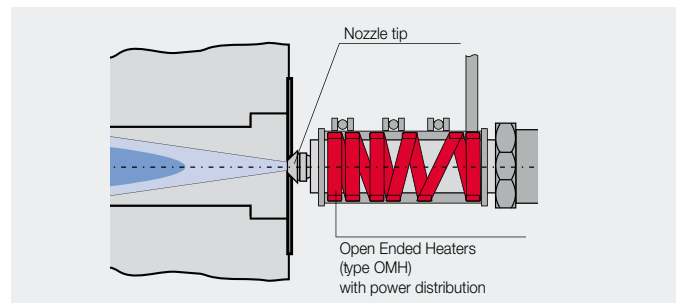
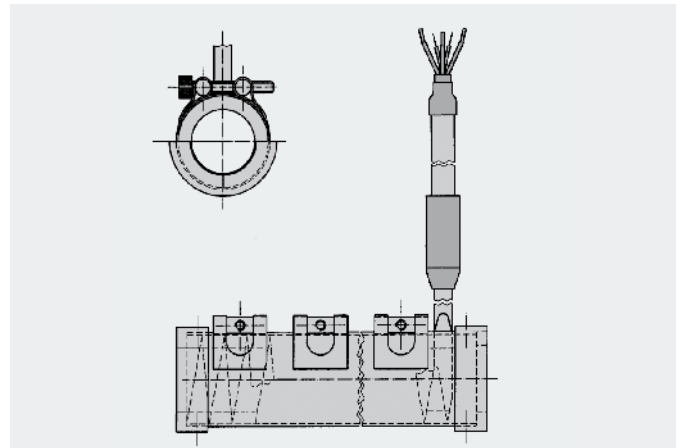
Technical features

Heating element	hotspring Maxi
Voltage	230 V Standard
Wattage tolerance*	± 10 %
High voltage test*	1250 V AC
Insulation resistance*	≥ 5 MΩ at 500 V DC
Leakage current*	≤ 0,5 mA bat 253 V AC
Standard connection lead	glass silk insulated, nickel, multistranded, with ground wire and and metal sleeving L = 1500 mm / 59 inch
Thermocouple	integrated, Type K (NiCr-Ni)

*tested at environmental temperature

Options

- Various connection types available (moisture protection required)





hotset

Hotset GmbH
Hueckstraße 16
58511 Lüdenscheid
Germany

Phone +49 / 23 51 / 43 02-0
Fax +49 / 23 51 / 43 02-25

www.hotset.com